

**Downlight Specification**

# G2SE25L1(E)

— GENIE 2S series



## Basic Parameters

- Material: AL1070, spraying surface
- Driver Installation: Remote
- IP grade: IP20/IP54 optional
- CCT: 2700K,3000K,3500K,4000K optional
- CRI: 90
- SDCM(Light source): <3 Step (ANSI)
- Beam angle: 24°/36° optional
- UGR(X=4H,Y=8H): ≤8(24°), ≤16(36°)
- Lighting direction: Downward
- Dimming method: Non-Dimming
- Input voltage: AC220-240V
- Working temperature: -15°C~30°C
- Application: Indoor
- Installation: Recessed
- Certification: CE,ROHS,Reach
- Warranty: 5 years



## Frame Color

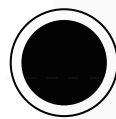


Black



White

## Reflector type



Matte black



Matte white



Mirror



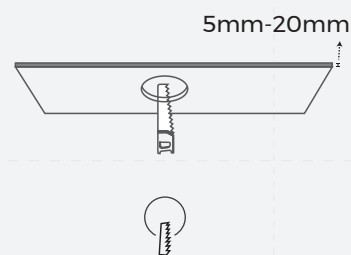
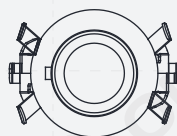
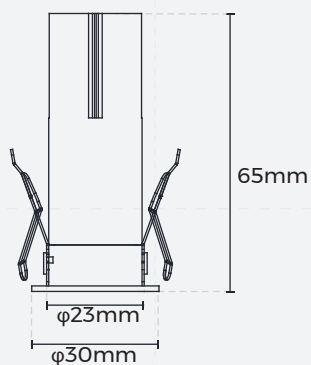
Black chrome

## Optical Accessory



Honeycomb

## Product mechanical data



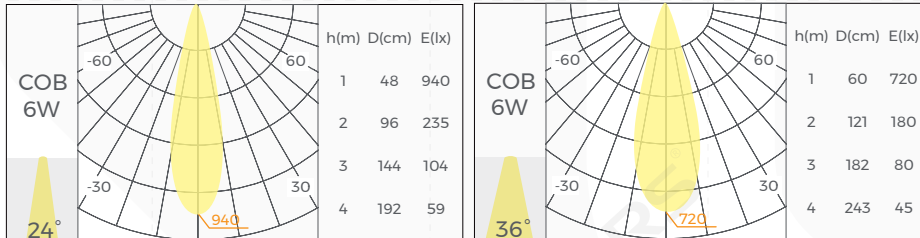
## ◎Luminaire Parameters

Model	Input Voltage (V)	Input Current .LED(mA)	Type Power (W)	CRI	Beam Angle	CCT	Lumen (LM)
G2SE25L1(E)	DC36	120	6	>90	24°	3000K	240
					36°	3000K	260

Note:

- The above parameters were tested based on Ra90, 3000K, light source;  
2700K Light efficiency & Luminous flux=3000K\*0.95  
3500K Light efficiency & Luminous flux=3000K\*1.05  
4000K Light efficiency & Luminous flux=3000K\*1.08
- The input voltage and input current belong to the light source.
- luminous flux is allowed to have a  $\pm 10\%$  error range;
- The above parameters are typical values.
- If the "Honeycomb" is selected, it will be installed on the spotlight by default, and the parameters will change as follows.  
(1) Spotlights with beam angles of "15°" and "24°": the light efficiency will be reduced by 30%, the beam Angle will be reduced by 12%, the anti-glare effect will be better, and the UGR will be reduced by 40%.  
(2) Spotlights with beam angles of "36°": the light efficiency will be reduced by 50%, the beam Angle will be reduced by 25%, the anti-glare effect will be better, and the UGR will be reduced by 40%.

## ◎Optical Parameter



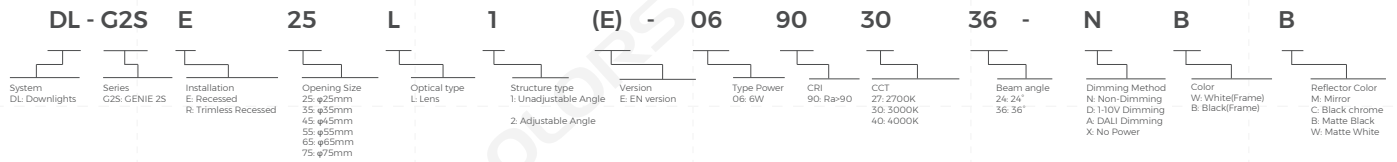
Note:

- Central light intensity value = 1 meter maximum luminous intensity value;
  - N meter maximum luminous intensity value = Central light intensity value/N<sup>2</sup>;
- For example: 2 meter maximum luminous intensity value = Central light intensity value/2<sup>2</sup>;

## ◎Packing

Model	Size (mm/box)	Quantity /box	Quantity /carton	NW (kg/box)	NW (kg/carton)	CW (kg)	Size (mm/carton)
DL-G2SE25L1(E)-XXX	120*120*95	1	48	0.1	4.8	8.5	496*496*306

## Model Code



## Attentions

- 1、 Non-professionals are prohibited from installing, disassembling and repairing the product.
- 2、 Avoid scratching, distortion and irregular bending of the product during installation; otherwise it may cause irreparable damage to the product.
- 3、 Please use professional cutting tools when cutting
- 4、 Do not use any acid or alkaline adhesive to fix products
- 5、 The product is only suitable for indoor dry places, can not be used in outdoor, seaside or wet environment.